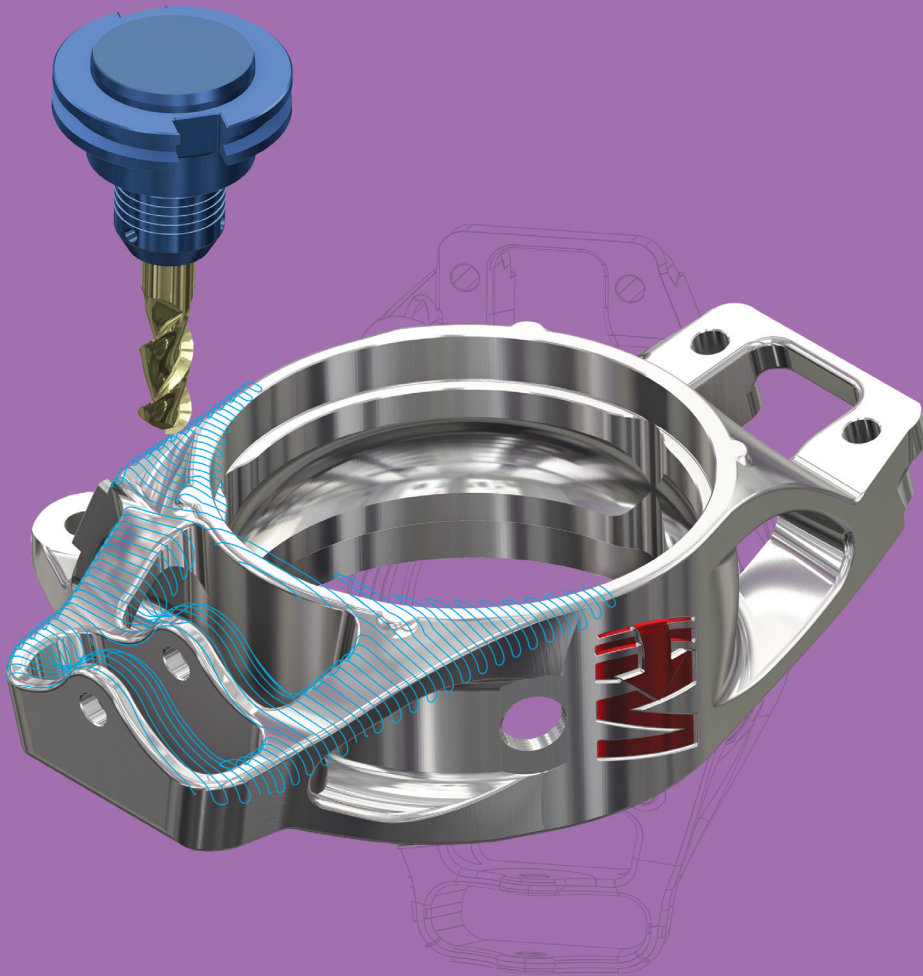




MASTERCAM for SOLIDWORKS®



Mastercam for SOLIDWORKS® combines the world's leading modeling software with the world's most widely used CAM software.



Mastercam Mill, Mill 3D, Lathe, Router, and Router 3D **include** the option to run a corresponding Mastercam for SOLIDWORKS® environment. **Standalone** licenses of Mastercam for SOLIDWORKS® Mill, Mill 3D, and Lathe products are also available for purchase.

Mastercam 2021

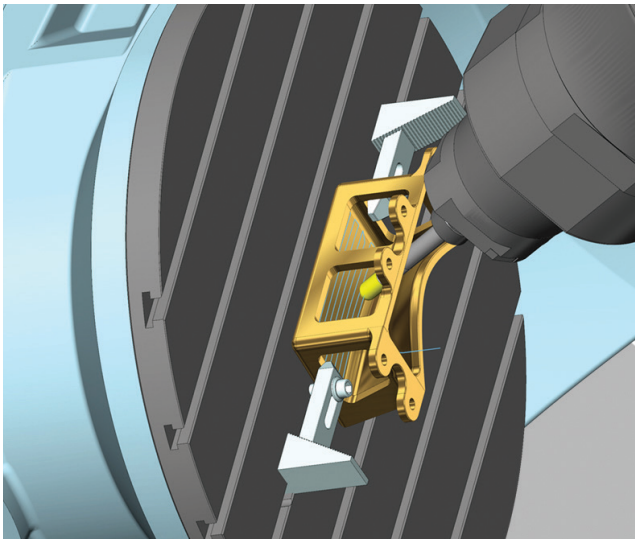
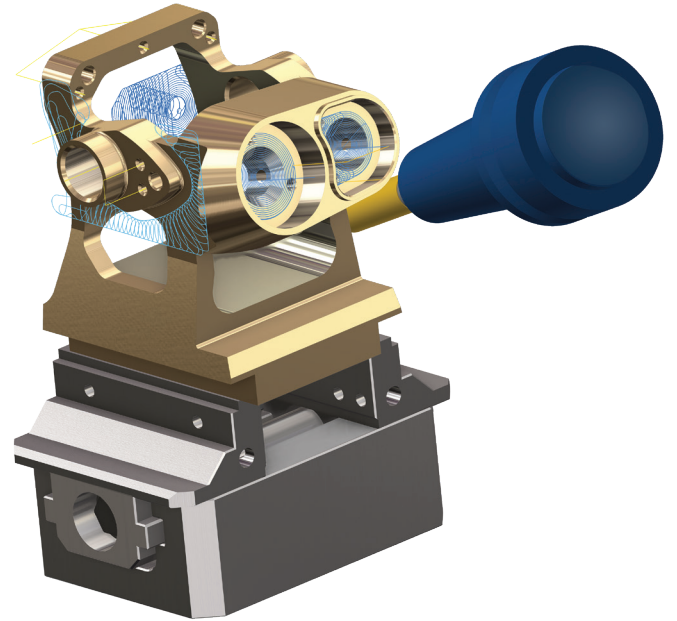
SOLIDWORKS USERS FEEL AT EASE WITH MASTERCAM

Design parts and drive your router, mill, or lathe, with ease and precision for 2D, 3D, and multiaxis machining.



With Mastercam toolpaths integrated directly within the SOLIDWORKS environment, the toolpaths are applied directly to the part or assembly. Intelligent use of design tables and multiple configurations makes working with families of parts easy.

As a Certified Gold Product, Mastercam for SOLIDWORKS delivers the absolute best in 2- through 5-axis milling, routing, and turning CAD/CAM integration.



Mastercam's active Stock Model, Toolpath Verification, and Simulation mean increased confidence on every project. Tool library support, including CoroPlus® and MachiningCloud, helps you make tooling decisions fast.

Flexible and expandable.

No matter how complex a part, with toolpath associativity, any modification to the job means the toolpaths are updated immediately. You can also build a library of your favorite machining strategies, apply them to a part, and Mastercam helps adapt them to the new model. Because Mastercam for SOLIDWORKS is a fully integrated SOLIDWORKS Certified Gold Product, it's fast, easy, and productive — the way programming should be.

TIME AND MONEY

"Mastercam for SOLIDWORKS is making my job easier. I've been using Dynamic toolpaths to get better finishes. It works so well that I'm getting work done in half the time."

Nolan Farmer, Owner
Farmer Plastics & Machining, Inc.

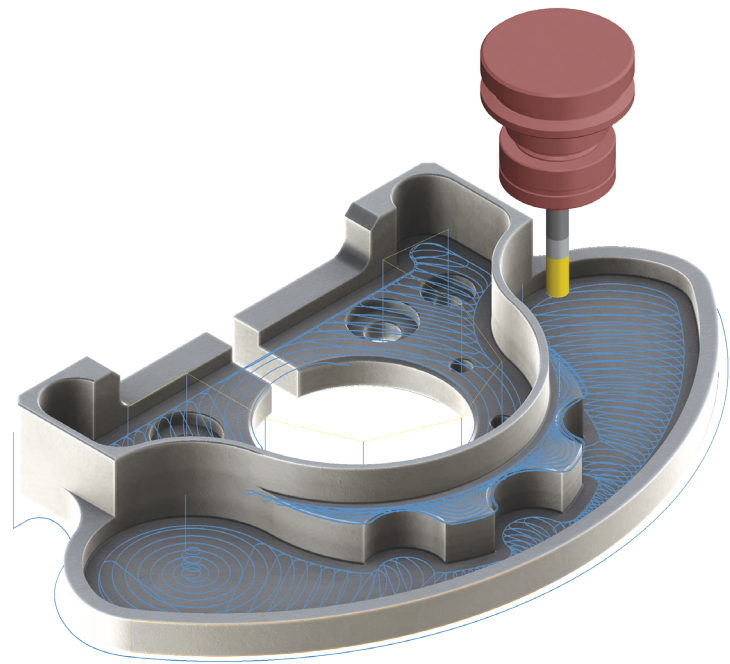
2D MACHINING

Serious 2D capability.

From simple to complex, Mastercam Mill's 2D machining capability delivers the tools you need to compete.

- **Feature Based Machining** (FBM) automatically programs prismatic solid features like drill holes, contours, and pockets.
- Easy, automated, flexible hole making.
- Precision chip control for a wide set of tools, plus specialized tool support including ISCAR®'s **High Efficiency Machining** (HEM) tool set and more.

Dynamic Motion powers much of our 2D solutions. It allows you to maximize your material removal rate and can lower your cycle time, while increasing the life of your cutting tools. Check out [Mastercam.com/dynamic](https://www.mastercam.com/dynamic) to learn more.



2D toolpaths in Mastercam for SOLIDWORKS deliver easy and optimized pocketing, contouring, drilling, facing, and more.

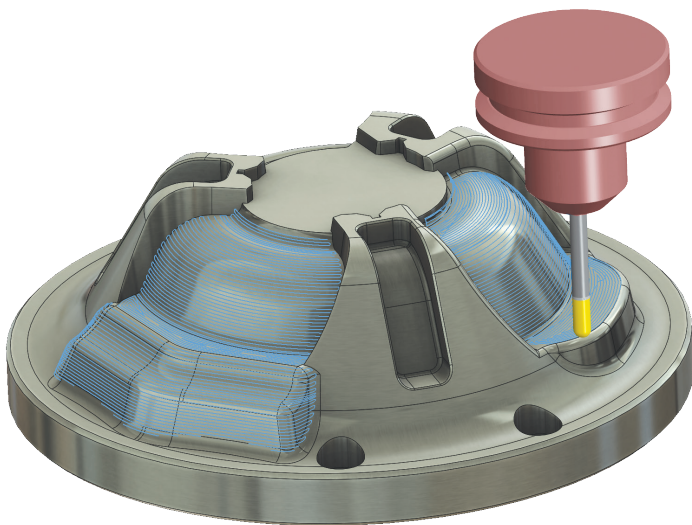
3D MACHINING

Our finish is more finished.

Mastercam provides unsurpassed control on surface cuts, delivering superior finishes and optimized cycle times.

- Mastercam's Dynamic Motion technology powers **dramatically efficient roughing**.
- Constant scallop machining maintains a consistent finish on sloped and flat surfaces.
- Constant-Z rest milling (remachining) identifies and machines areas needing a smaller tool.
- **Hybrid finishing** creates a single toolpath that changes cut methods as the slope changes.
- **Pencil tracing** walks a tool along the intersection of surfaces to clean out hard-to-reach areas.

Cut multiple surfaces, solid models, and STL data — our refined 3D toolpaths give you a smooth, precision finish to please even your toughest customers.



From the smallest medical part to the largest automotive mold, Mastercam for SOLIDWORKS ensures efficient roughing and precision finishing for any product.

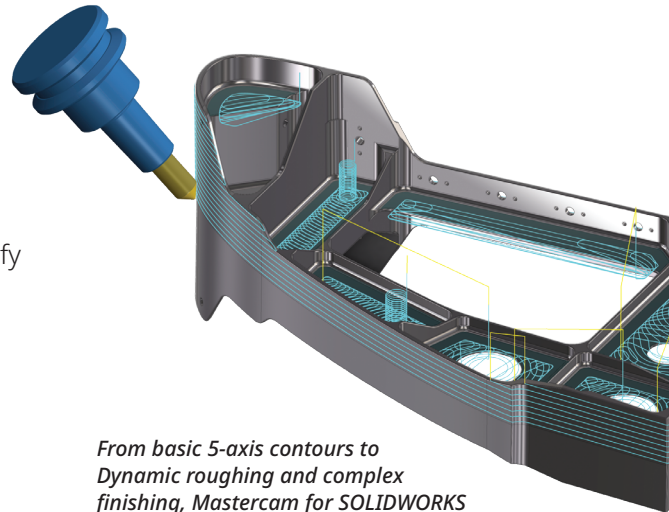
MULTIAXIS MACHINING

Complexity simplified.

With Mastercam, you have complete control over the three crucial elements of multiaxis machining: cut pattern, tool axis control, and collision avoidance. From 4-axis rotary and roll-die cutting to multiblade impellers with tight internal cuts, Mastercam helps simplify even the most complex jobs.

Other highlights include:

- **Multisurface 5-axis** roughing and finishing (including depth cuts), plunge roughing, and flowline machining.
- Swarf machining over multisurface floors.
- Automatic 3+2 roughing creates a single multiplane roughing toolpath for an entire part.
- **Advanced gouge checking**, a “safe zone” around the part, and safe linking between operations .
- Fast, simple 5-axis trimming and stock-aware drilling.
- Ability to create full 5-axis motion from a **3-axis toolpath**.

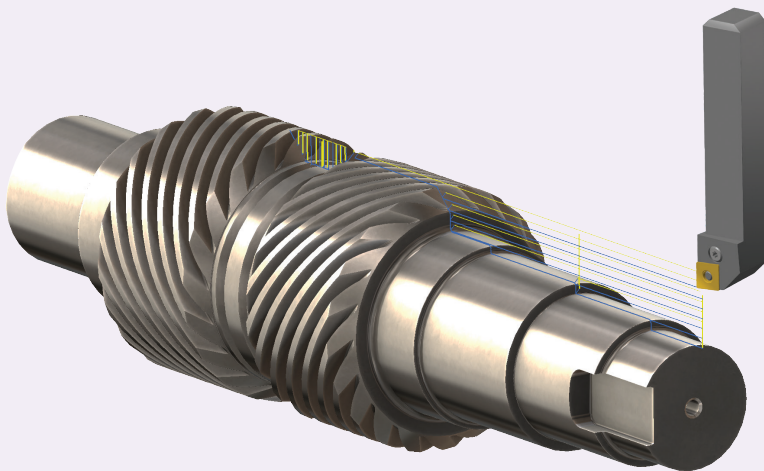


From basic 5-axis contours to Dynamic roughing and complex finishing, Mastercam for SOLIDWORKS streamlines multiaxis programming by design.

TURNING

Fully integrated within SOLIDWORKS.

Powerful turning strategies in Mastercam for SOLIDWORKS complement our milling toolpaths, giving you a complete turning toolkit. Functionality includes:



- Easy roughing, finishing, threading, grooving, boring, drilling, and cut off.
- Face and cross contouring and drilling.
- Intelligent ID and OD roughing, including roughing to a boundary for castings.
- **Dynamic Motion** roughing to extend insert life.
- Tool Inspection to check tool wear conditions during your roughing, finishing, and grooving operations.
- Toolpath verification to ensure your parts are machined as intended.

For more information, contact a local Mastercam expert at
[Mastercam.com/Resellers](https://www.mastercam.com/Resellers).